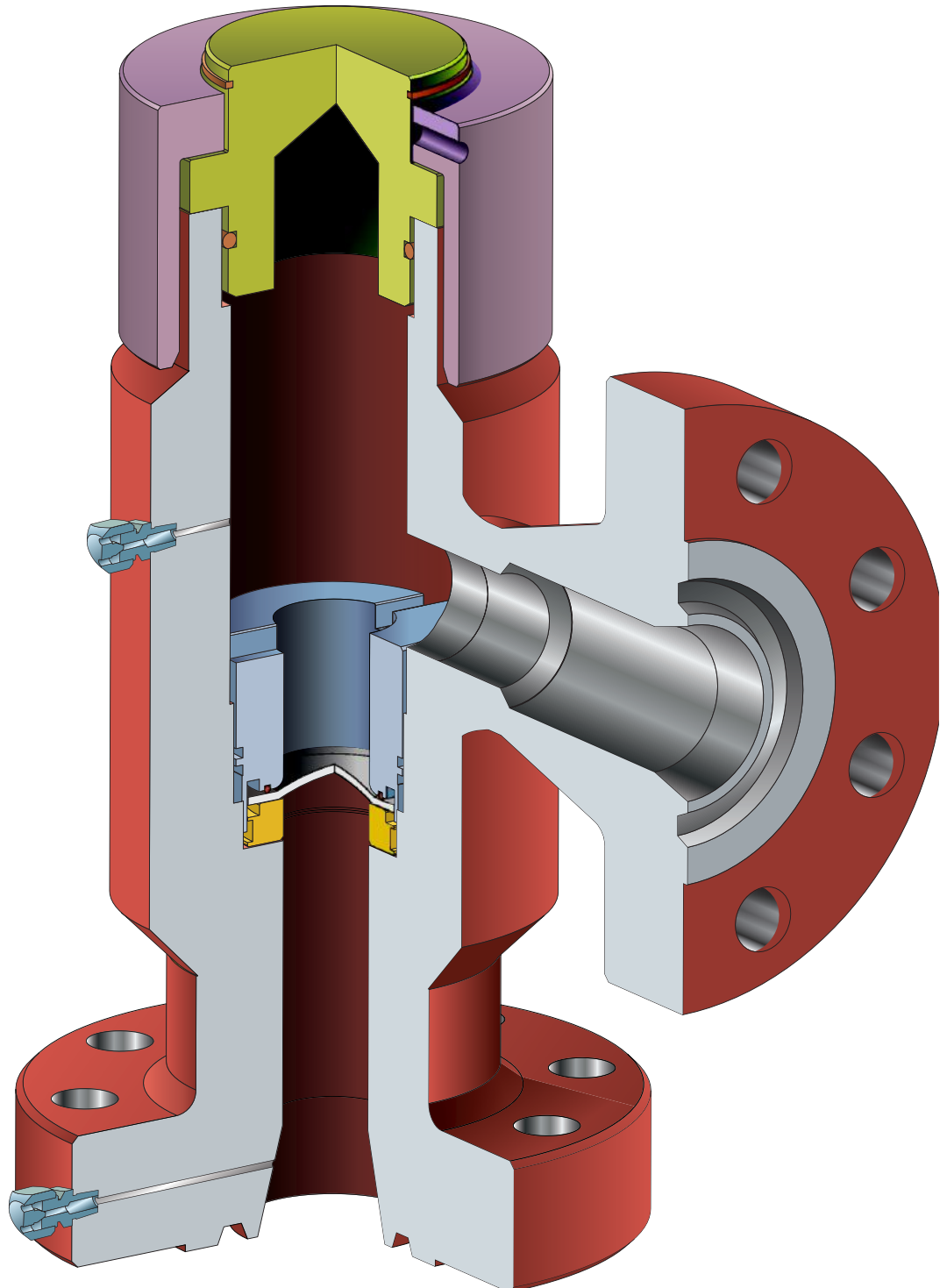




Magnum Pump Saver

WORLDWIDE OILFIELD MACHINE
www.womusa.com



Invention, Unique Design and Extraordinary Craftsmanship

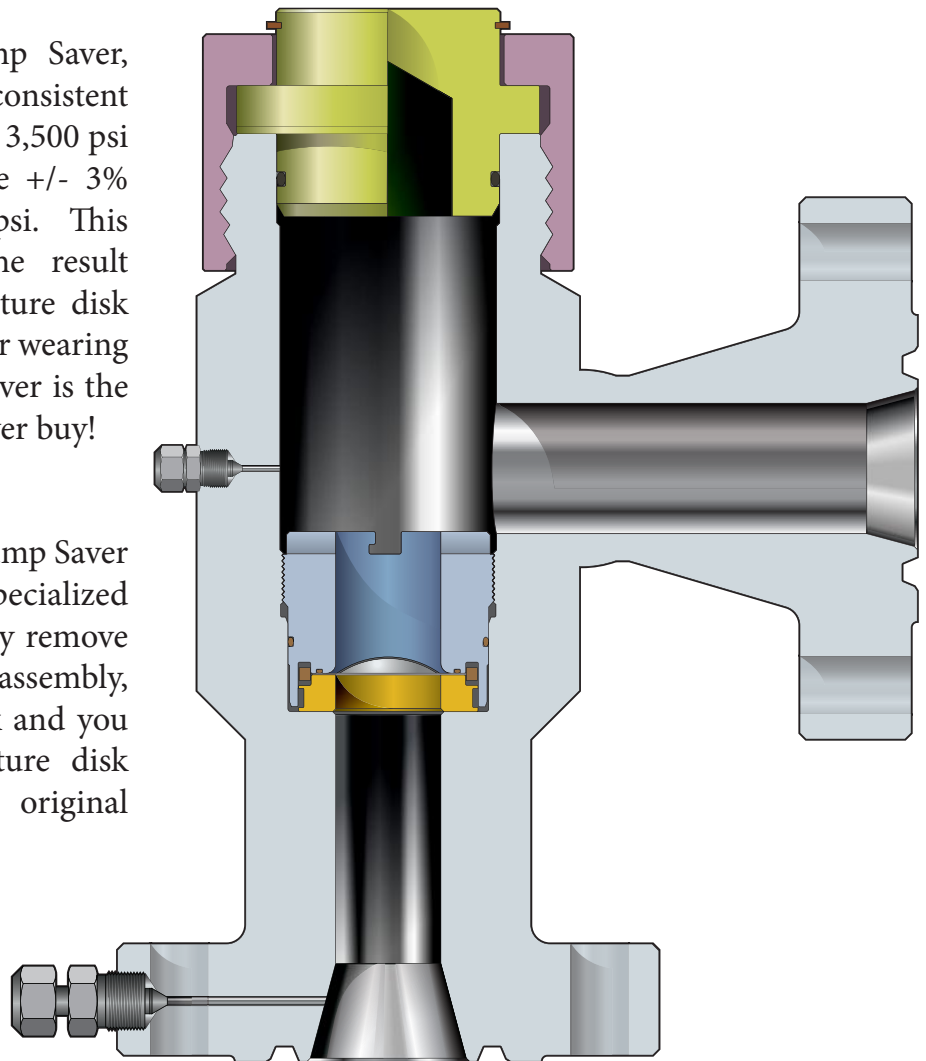
Magnum Pump Saver

Save Rig Pumps Eliminate Guesswork

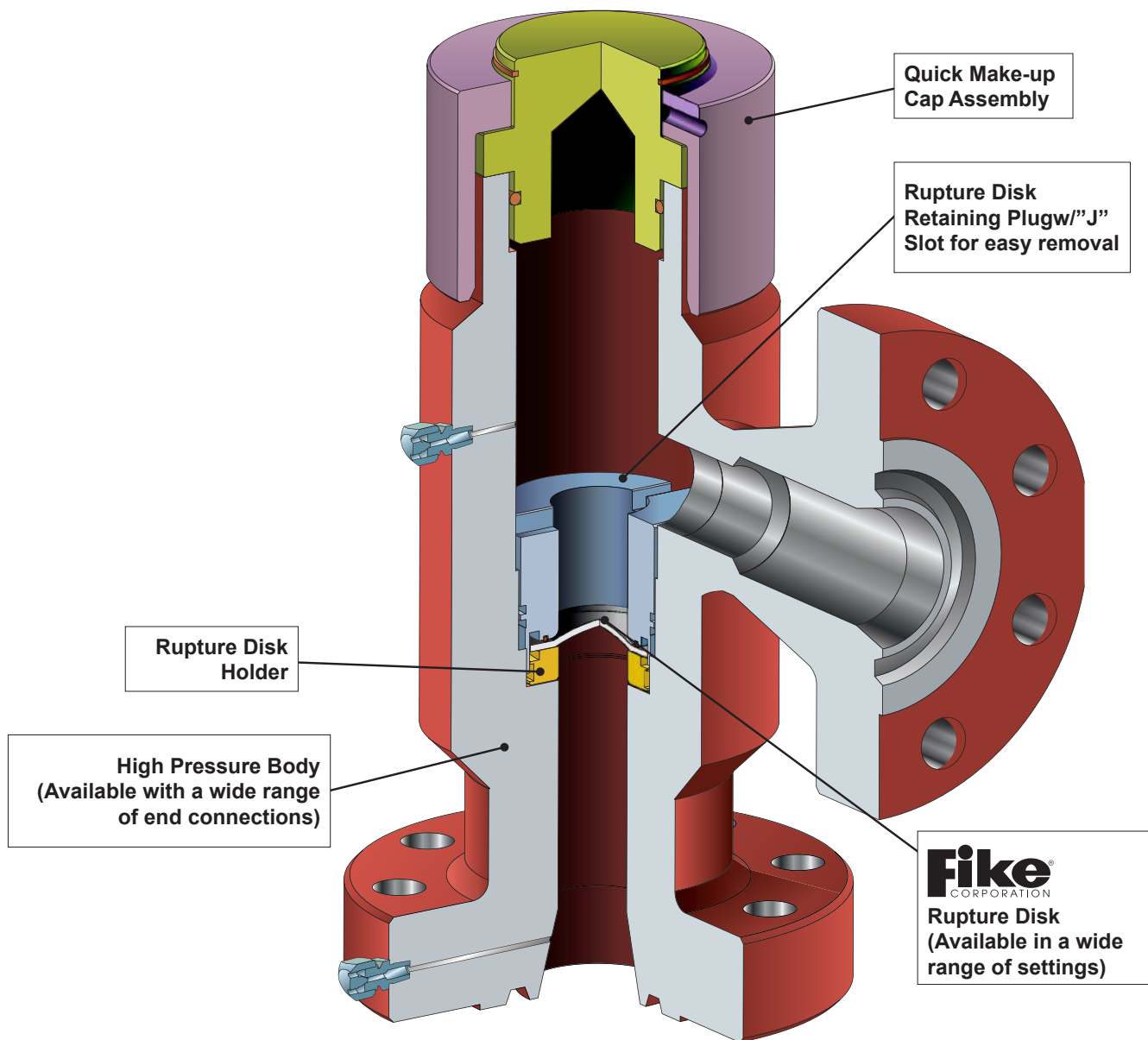
When seeking new ways to protect expensive rig equipment, repeatability is the key. All rig systems use pop-off valves to protect the pump from over-pressurization. When the conventional pop-off valve trips a rig pump, treating line, pressure vessel or any other high pressure high-flow environment, their spring relief valve design achieves approximately 10% repeatability. To compensate you have two options: reset the valve higher, risking pump damage or reset lower inviting frequent false over-pressure events each requiring a reset.

With the Magnum Pump Saver, you can depend on a consistent $\pm 5\%$ repeatability up to 3,500 psi and a remarkably precise $\pm 3\%$ repeatability over 3,500 psi. This amazing accuracy is the result of an easy to install rupture disk design. With no springs or wearing parts the WOM Pump Saver is the last relief valve you will ever buy!

Resetting the Magnum Pump Saver is fast and simple. No specialized tools are required. Simply remove the quick make-up cap assembly, insert a new rupture disk and you are done. A new rupture disk restores the valve to its original specifications.



With the Magnum Pump Saver, you can depend on a consistent +/- 5% repeatability up to 3,500 psi and a remarkably precise +/- 3% repeatability over 3,500 psi.



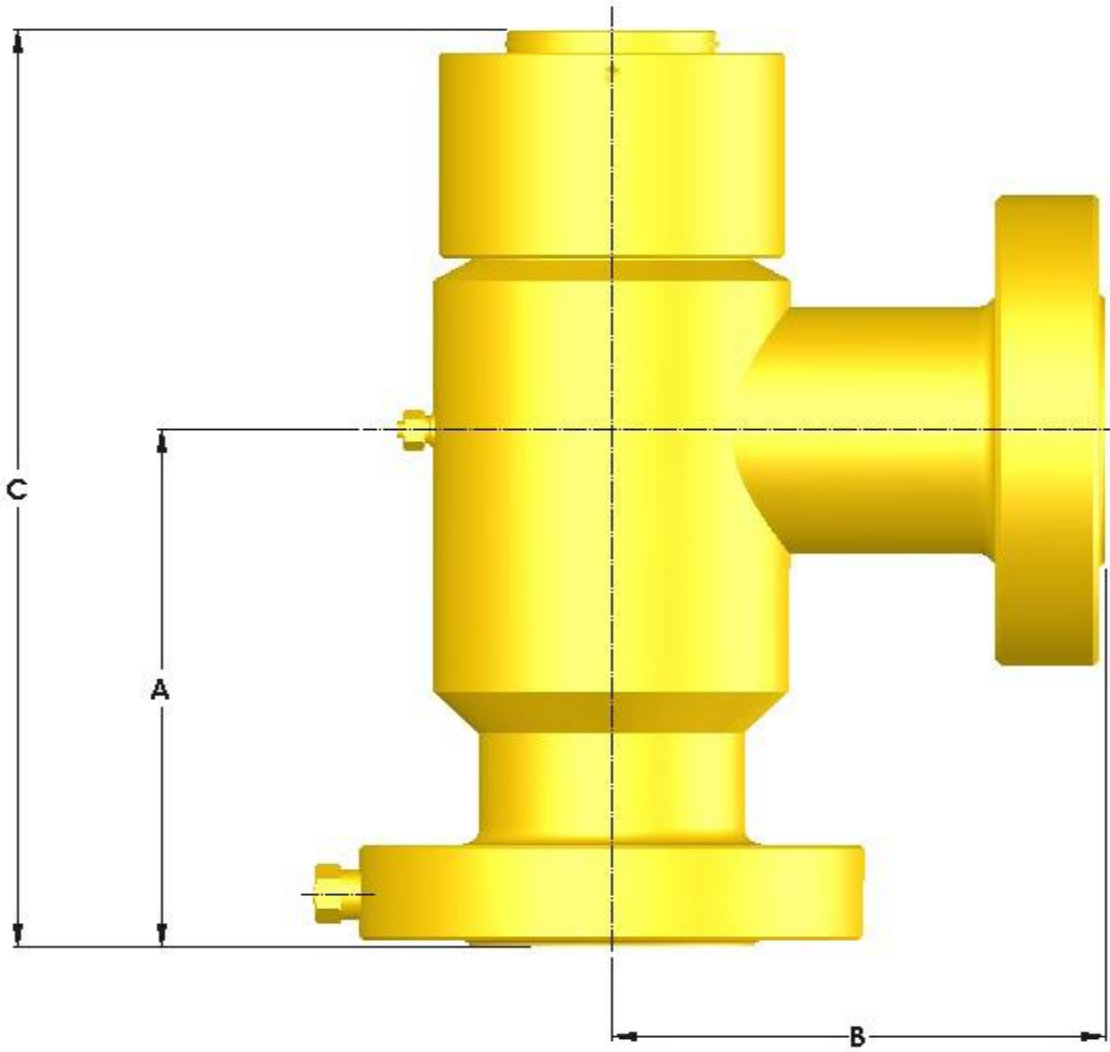
Tough, Practical Design Advantages

Magnum Pump Saver Specifications:

PUMP SAVER							
SIZE	PRESSURE RATING psi	NOMINAL BORE SIZE	CENTERLINE TO BOTTOM FLANGE 'A'	CENTERLINE TO SIDE FLANGE 'B'	TOTAL HEIGHT 'C'	FLANGE RING JOINT	TOTAL WEIGHT lbs
2-1/16"	10K	2-1/16"	9.62	8.75	19.82	BX-152	230
2-9/16"	10K	2-9/16"	11.63	10.38	20.64	BX-153	230
3-1/8"	5K	3-1/8"	11.63	10.38	20.64	R-35	300
3-1/16"	10K	3-1/16"	11.63	10.38	20.64	BX-154	300
	15K		11.63	10.38	21.75	BX-154	300

Features:

- Available up to 15,000 psi
- 4 Times More Accurate than Pop/Relief Valves
- Manufactured from quality high pressure forged materials
- Available in a wide choice of end connections
- Trimmed to handle H₂S and salt water contents



Contact Us



**Worldwide Oilfield Machine, Inc.
Headquarters/ U.S.A**
11809 Canemont Street
Houston, Texas 77035 USA
Phone: +1 (713) 729-9200
Fax: +1 (713) 729-7321



Worldwide Oilfield Machine, Inc.
5800 Cunningham
Houston, Texas 77041 USA
Phone: +1 (713) 937-0795
Fax: +1 (713) 937-8574



Worldwide Oilfield Machine, Inc.
11625 Fairmont St.
Houston, Texas 77035 USA
Phone: +1 (713) 721-5200
Fax: +1 (713) 721-5205



Worldwide Oilfield Machine, Inc.
11400 Tanner Rd.
Houston, Texas 77041 USA
Phone: +1 (713)-937-8323
Fax: +1 (713) 937-8574



Worldwide Oilfield Machine, Inc.
4707 SCR 1210
Midland, Texas 79706 – 305349
Phone: +1 (832) 908-4154



Worldwide Oilfield Machine Ltd. - UK
7 St Machar Road
Aberdeen
AB24 2UU
Scotland, UK
Phone: +44 (01224) 484400
Fax: +44 (01224) 489740



Worldwide Oilfield Machine Pvt. Ltd - India
Gat No. 778, at Post Velu
Pune Satara Rd.
Tal. Bhor, Dist. Pune 412 205. India
Phone 1: +91-8308210300
Phone 2: +91-8308215300



Magna Casting & Machine Works
Gat No. 777, at Post Velu
Pune Satara Rd.
Tal. Bhor, Dist. Pune 412 205. India
Phone 1: +91-8308210300
Phone 2: +91-8308215300



Magnum Forge & Machine Works
Gat No. 777, at Post Velu
Pune Satara Rd.
Tal. Bhor, Dist. Pune 412 205. India
Phone 1: +91-8308210300
Phone 2: +91-8308215300



Worldwide Oilfield Machine, Inc.- Turkmenistan
Yimpash Business Centre
Turkmenbashy Shayoly 54
Office #308 3rd Floor
Ashgabat –Turkmenistan 744000
Phone 1: +99-365 820130
Phone 2: +99-365 309757



WOM Brazil LTDA
Rua Lady Esteves da Conceição 119
Macaé, RJ, 27933-420, BRAZIL
Phone: +55 22 3081-3500



Worldwide Oilfield Machine, M.E. - U.A.E
Jebel Ali Free Zone (JAFZA) South,
Plot# 561302, Near Gate#12,
P.O. Box: 32478
Dubai (UAE)
Phone: (971-4) 81 63 600
Fax: (971-4) 81 63 601



Magnum Technology Center
Jebel Ali Free Zone (JAFZA) South,
Plot# 561302, Near Gate#12,
P.O. Box: 32478
Dubai (UAE)
Phone: (971-4) 810 8600
Fax: (971-4) 810 8601



PT Worldwide Oilfield Machine - Indonesia
#11-08 One Pacific Place
Sudirman Central Business District
Jl. Jenderal Sudirman Kav. 52-53,
Jakarta 12190
Phone: + 1-832-372-0674



Worldwide Oilfield Machine Asia Pacific-Singapore
17 Gul Way
Singapore 629194
Phone: +(65) 66901700
Fax: +(65) 65603859



Worldwide Oilfield Machine- Korea
#1012, 481-10, Byucksan Digital Vally-II,
Gasandong, GumchonGu
Seoul, Korea 153-803
Phone: +82-2-854-6806



©2011 Worldwide Oilfield Machine, Inc. www.womusa.com

Disclaimer. This catalog is published for informational purposes only. All previous catalogs are not valid and should not be used as a reference in any form.
Rev. 2019